

Product data sheet

Characteristics

XUKR1PSMM12

Photoelectric sensors XU, photoelectric sensor, color mark, Sn 20 mm, NC, M12 connector



Product availability: Non-Stock - Not normally stocked in distribution facility

Price*: 391.00 USD



Main

Range of product	Telemecanique Photoelectric sensors XU
Series name	Application packaging
Electronic sensor type	Photo-electric sensor
Sensor name	XUK
Sensor design	Compact 50 x 50
Detection system	Diffuse
Emission	White LED
[Sn] nominal sensing distance	0.75 In (19 mm) Ø 3.5 mm
Material	Plastic
Switching frequency	<= 5 kHz
Type of output signal	Discrete
Supply circuit type	DC
Wiring technique	3-wire
Discrete output type	PNP
Discrete output function	1 NO or 1 NC programmable
Electrical connection	1 male connector M12 adjustable through 90°, 4 pins
Product specific application	Colour mark
Sale per indivisible quantity	1

Complementary

Enclosure material	ABS
Lens material	Glass
Resolution	0.5 mm
Depth of field	+/- 2 mm
Maximum passing speed of object	8.20 Ft/S (2.5 m/s) 0.04 in (1 mm)
Output type	Solid state
Output function governance	Light or dark teaching
Add on output	Without
Add on input	Remote teaching

Status LED	Stability: 1 LED (green) Error 1 LED green/red (flashing) Output state: 1 LED (yellow)
[Us] rated supply voltage	12...24 V DC
Supply voltage limits	DC
Switching capacity in mA	<= 100 mA reverse polarity, overload and short-circuit protection)
Maximum voltage drop	<2 V (closed state)
Current consumption	<= 30 mA no-load
Maximum delay response	0.1 Ms
Maximum delay recovery	0.1 Ms
Setting-up	Sensitivity adjustment with teach mode
Depth	1.97 In (50 mm)
Height	1.97 In (50 mm)
Width	0.59 In (15 mm)
Net Weight	0.10 Lb(US) (0.045 kg)

Environment

Product certifications	CULus CE
Ambient air temperature for operation	14...131 °F (-10...55 °C)
Ambient air temperature for storage	-4...158 °F (-20...70 °C)
Vibration resistance	+/-0.5 mm 10...55 Hz IEC 60068-2-6
Shock resistance	30 gn 11 ms) 6 shocks on each axis IEC 60068-2-27
IP degree of protection	IP65 conforming to IEC 60529

Ordering and shipping details

Category	22481 - SENSORS, PHOTOELECTRIC
Discount Schedule	DS2
GTIN	03389110701784
Nbr. of units in pkg.	1
Package weight(Lbs)	0.22 Lb(US) (0.10 kg)
Returnability	No
Country of origin	HU

Packing Units

Unit Type of Package 1	PCE
Package 1 Height	1.38 In (3.5 cm)
Package 1 width	3.23 In (8.2 cm)
Package 1 Length	3.35 In (8.5 cm)
Unit Type of Package 2	S02
Number of Units in Package 2	21
Package 2 Weight	3.47 Lb(US) (1.576 kg)
Package 2 Height	5.91 In (15 cm)
Package 2 width	11.81 In (30 cm)
Package 2 Length	15.75 In (40 cm)

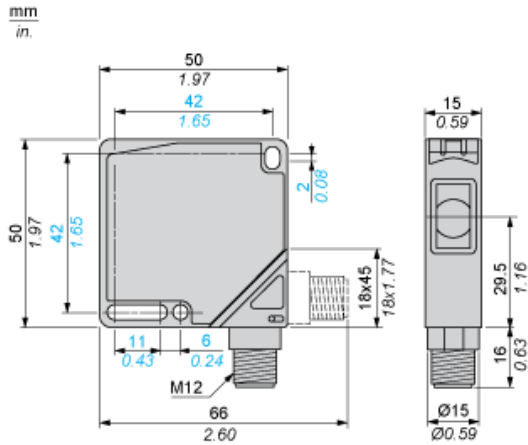
Offer Sustainability

Sustainable offer status	Green Premium product
California proposition 65	WARNING: This product can expose you to chemicals including: Diisononyl phthalate (DINP), which is known to the State of California to cause cancer, and Diisodecyl phthalate (DIDP), which is known to the State of California to cause birth defects or other reproductive harm. For more information go to www.P65Warnings.ca.gov
REACH Regulation	REACH Declaration
REACH free of SVHC	Yes
EU RoHS Directive	Pro-active compliance (Product out of EU RoHS legal scope) EU RoHS Declaration
Toxic heavy metal free	Yes
Mercury free	Yes
RoHS exemption information	Yes
Environmental Disclosure	Product Environmental Profile
Circularity Profile	End Of Life Information

Contractual warranty

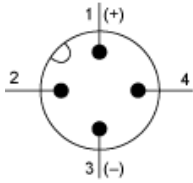
Warranty	18 months
----------	-----------

Dimensions



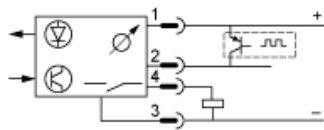
Wiring Schemes

Connector Scheme



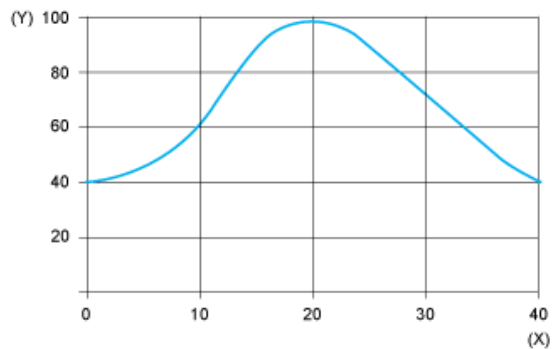
- 1/Brown: 30 VDC
- 2/White: adjustment input
- 3/Blue: V
- 4/Black: Output

PNP Output



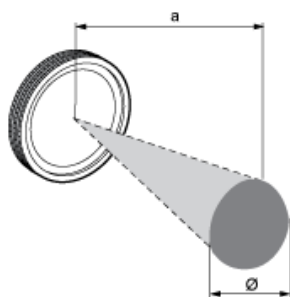
Curves

Detection Curve



(y) % of signal
(x) Detection distance (mm)

Detection Zone and Spot Size



a (mm)	Ø (mm)
19	3.5

Product Life Status : **Commercialised**